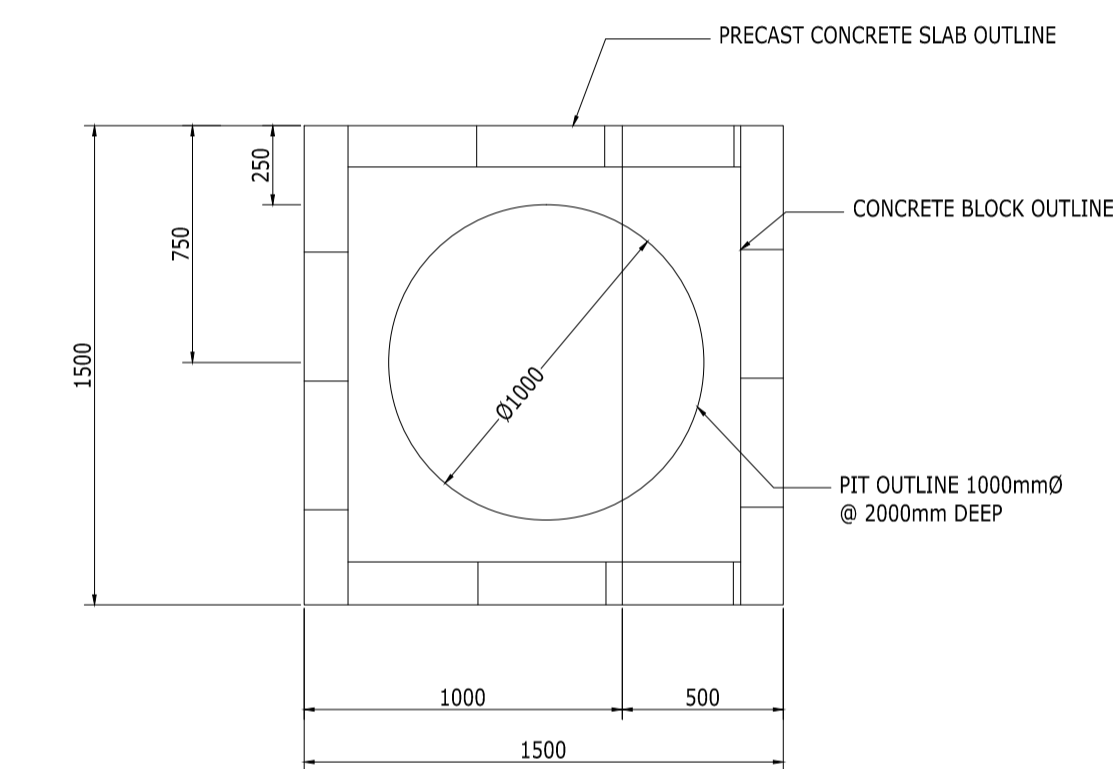
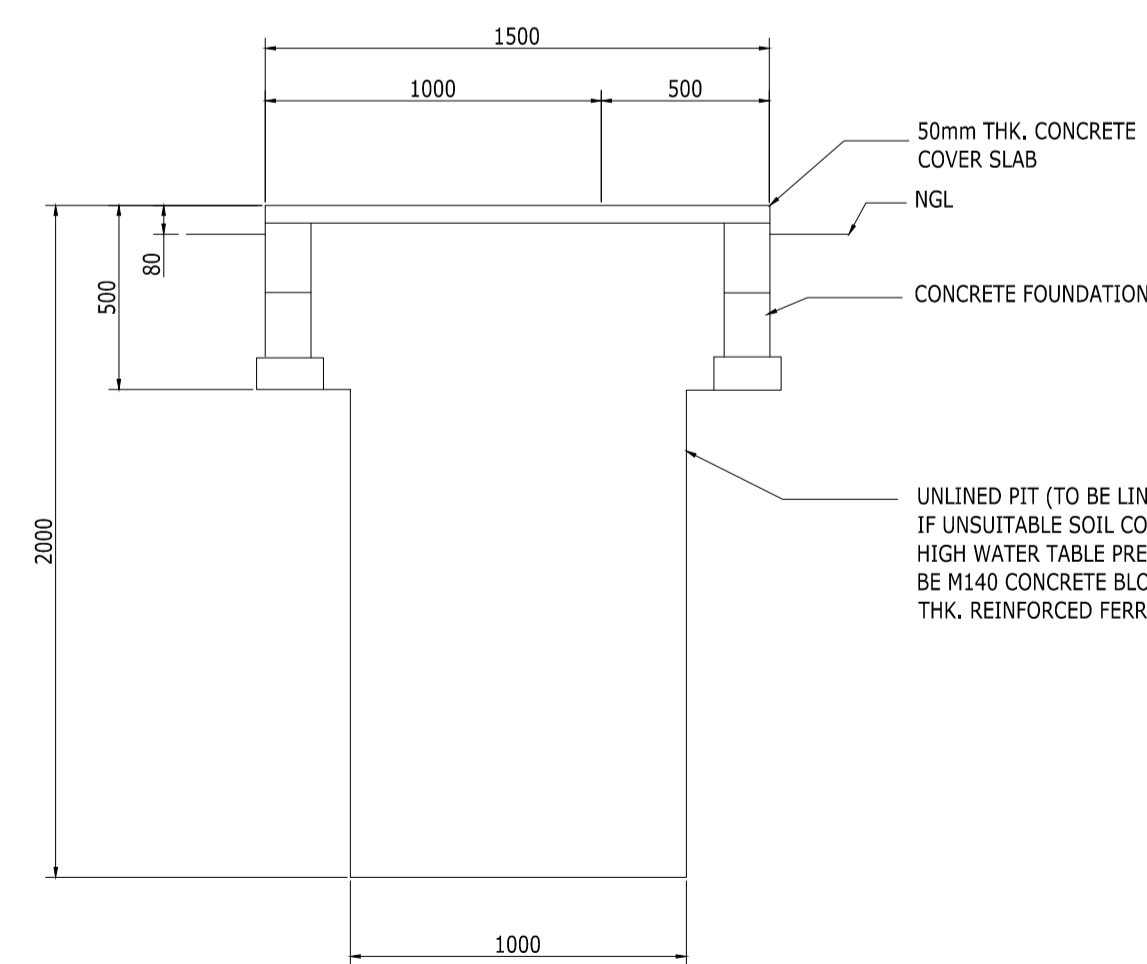


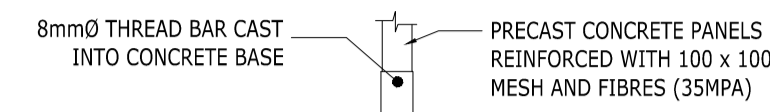
FLOOR PLAN
SCALE 1:15



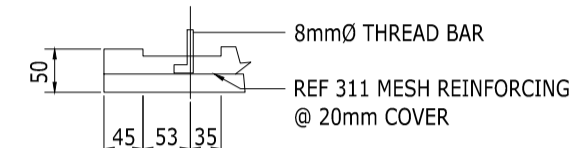
POSITIONING LAYOUT
SCALE 1:15



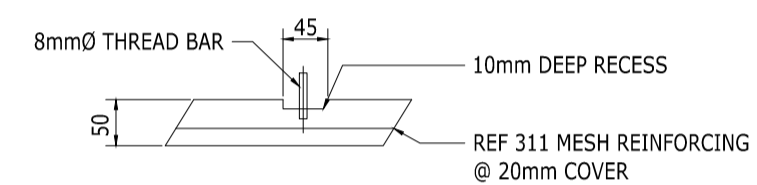
TYPICAL PIT AND COLAR DETAIL
SCALE 1:15



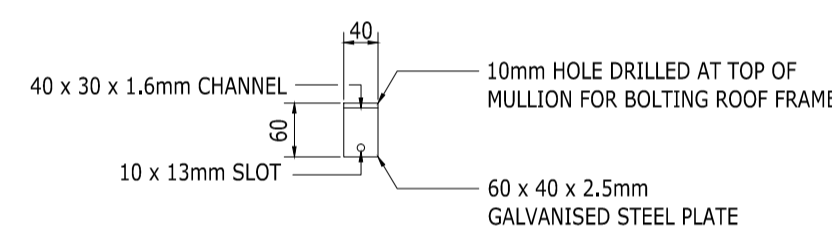
DETAIL A
SCALE 1:15



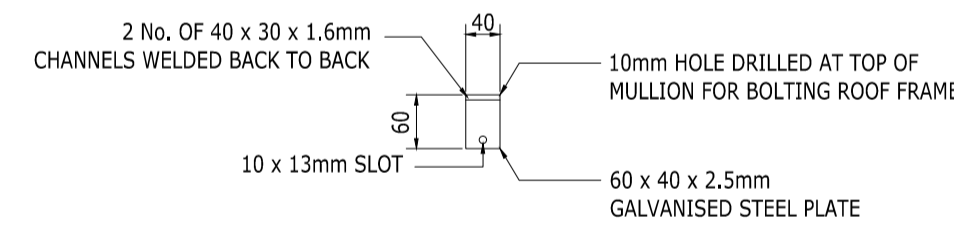
SECTION A-A
SCALE 1:15



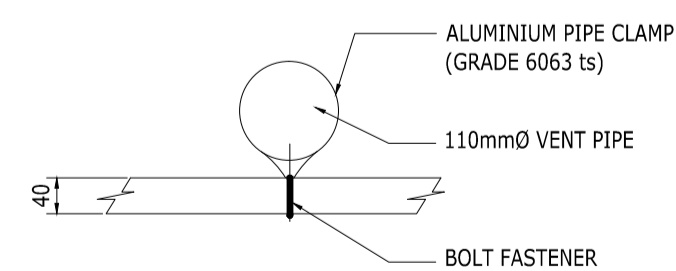
SECTION B-B
SCALE 1:15



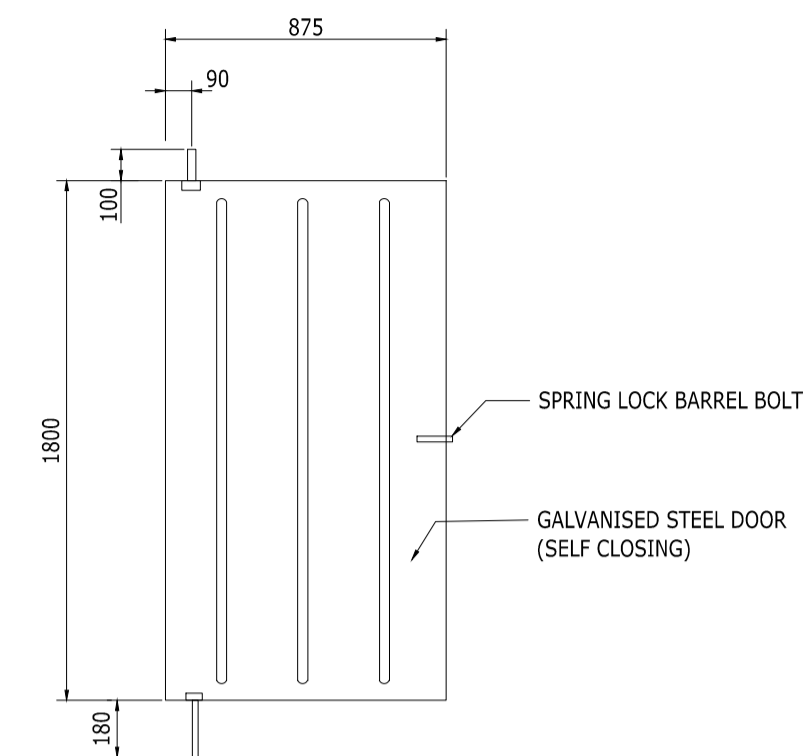
HINGE & HATCH POST DETAIL
SCALE 1:15



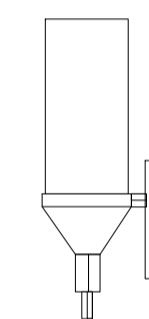
CORNER POST DETAIL
SCALE 1:15



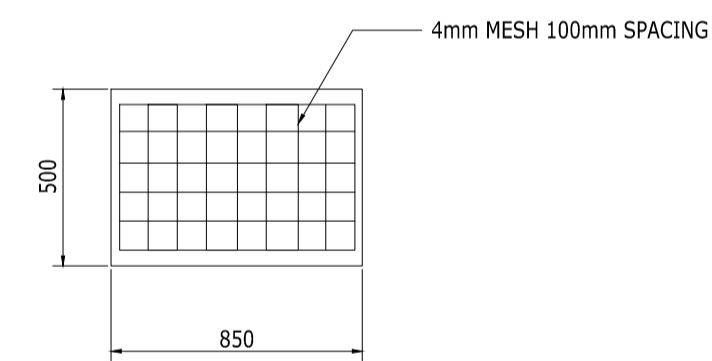
PIPE CLAMP DETAIL
SCALE 1:15



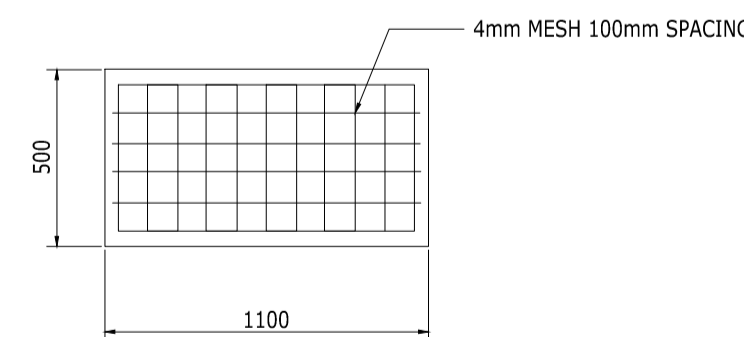
GALVANISED PRESSED STEEL DOOR
SCALE 1:15



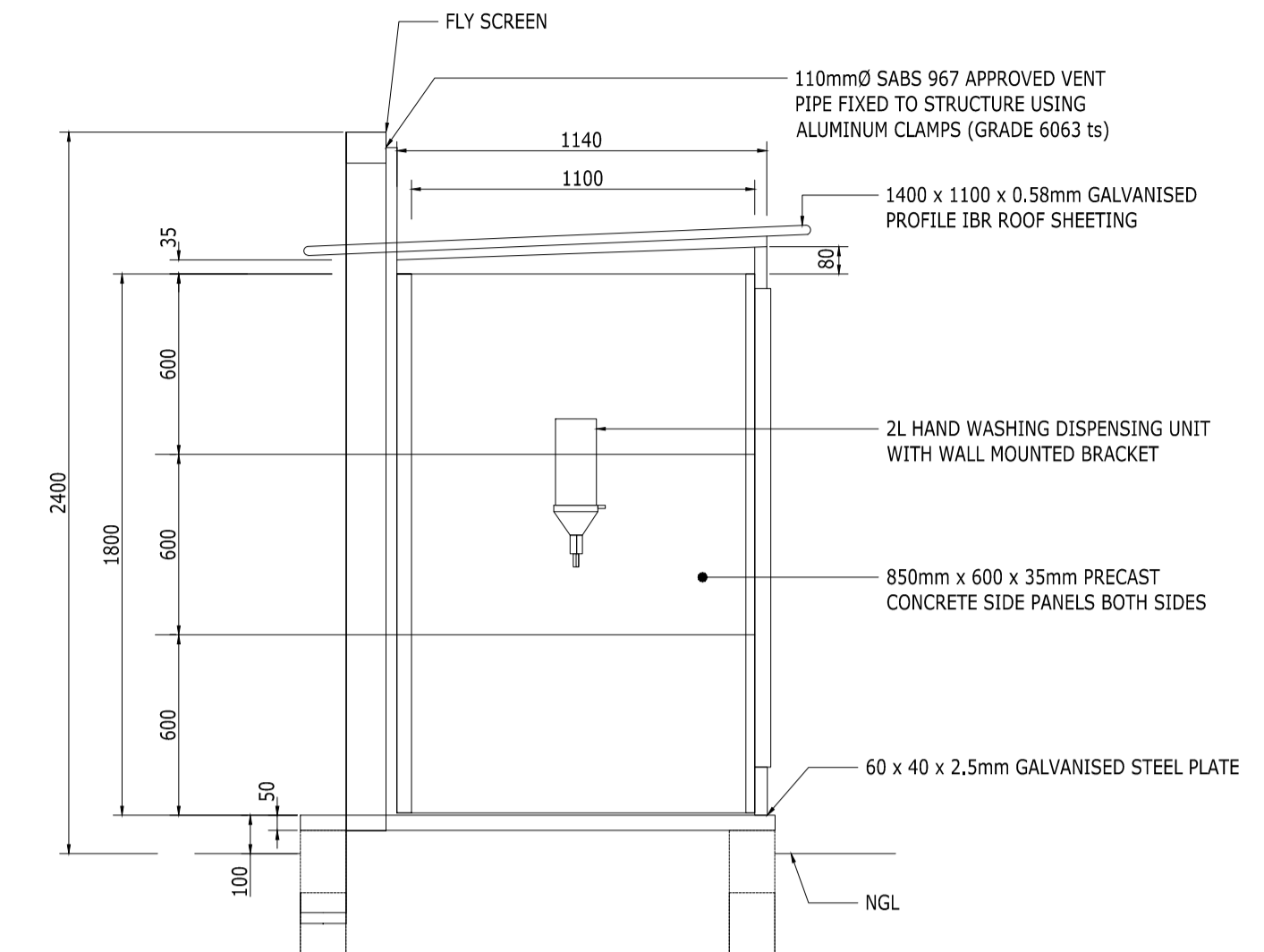
DETAIL OF HAND WASHING BRACKET WITH TIP TAP VALVE
SCALE 1:15



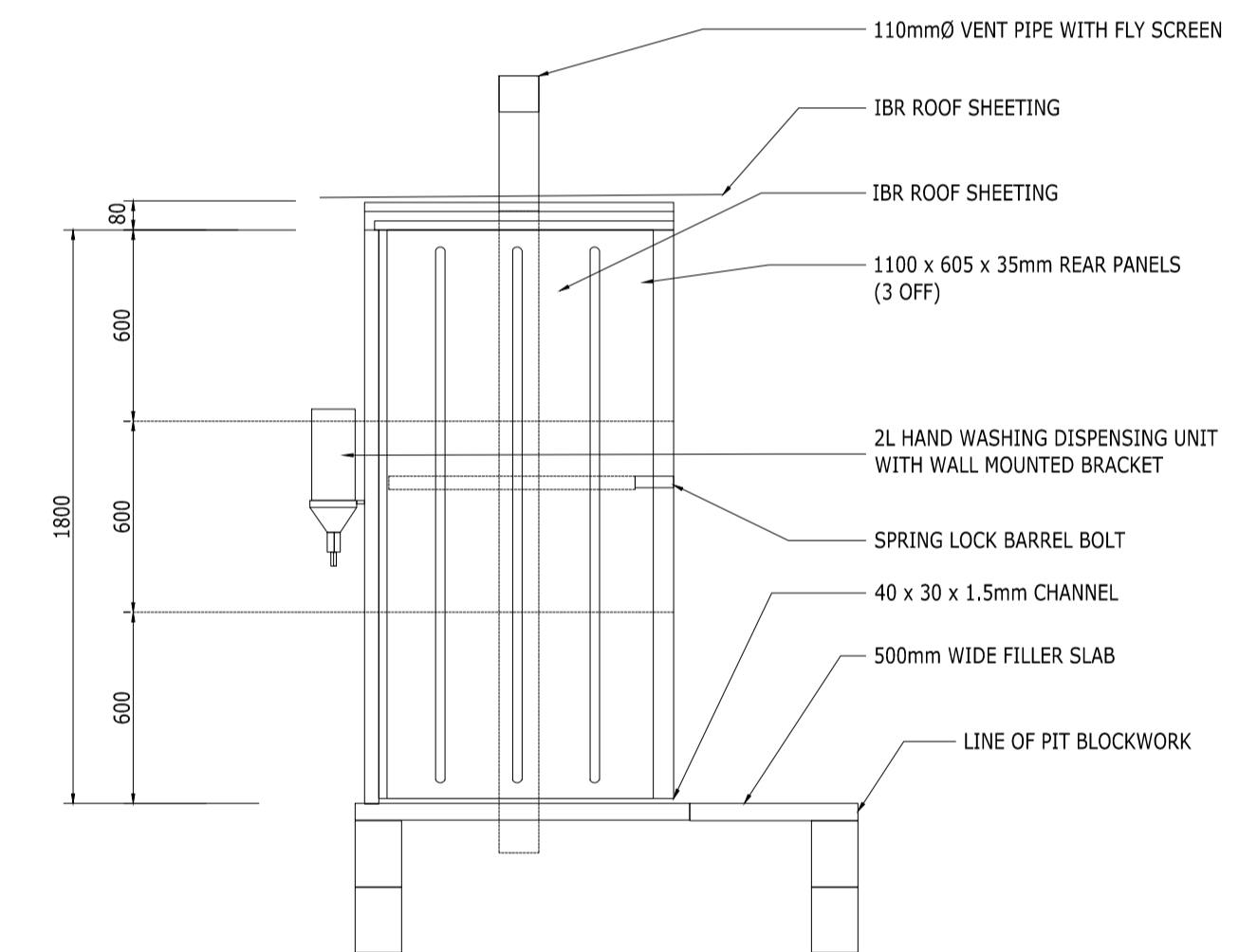
BACK PANELS 30mm THK
SCALE 1:15



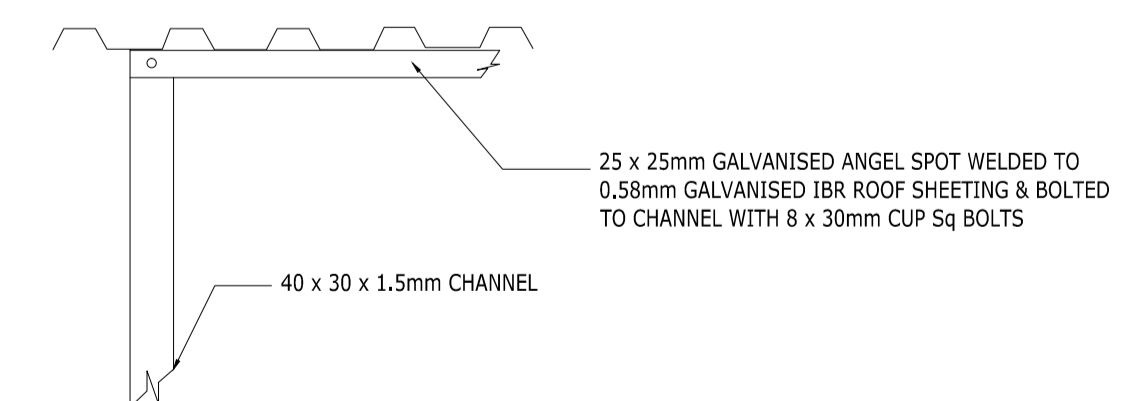
SIDE PANELS 30mm THK
SCALE 1:15



SIDE VIEW
SCALE 1:15



FRONT VIEW
SCALE 1:15



ROOF FIXING DETAIL
SCALE 1:15

REQUIRED DEPARTMENT OF HEALTH SIGNATURES

FACILITY MANAGER:

DISTRICT MANAGER:

AREA MANAGER:

Rev no.	Date	Description	By
0	31/15	Issued for Tender	SM

Checked by Consultant

Name

Signature

Consultant

Impande ENGINEERS
Consulting • Project Management

IMPANDE HOUSE
13 SCOTT STREET
MKHAMBATHINI
P.O. BOX 501
CAMPERDOWN
3720
KWAZULU NATAL, RSA
TEL: +13 785 1608
FAX: +13 785 1564

Project Manager

Client:

HARRY GWALA DISTRICT MUNICIPALITY

Project

APPOINTMENT OF SERVICE PROVIDER TO SUPPLY AND DELIVER VIP STRUCTURES

Drawing Description

STRUCTURAL DETAILS

Drawn: JN Date: MAR 2015

Scales: AS SHOWN

Consultant drawing number: IP 000-T-001 Revision: 0

DOW Drawing number: IP 000 Revision:

Stamped by plans approval committee